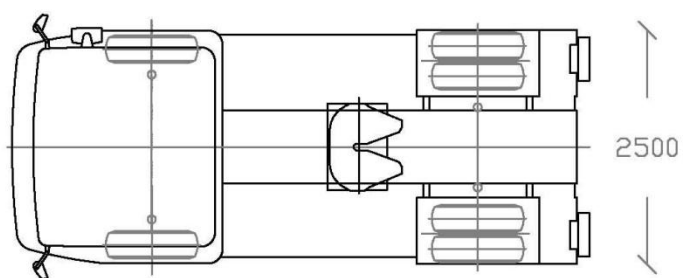
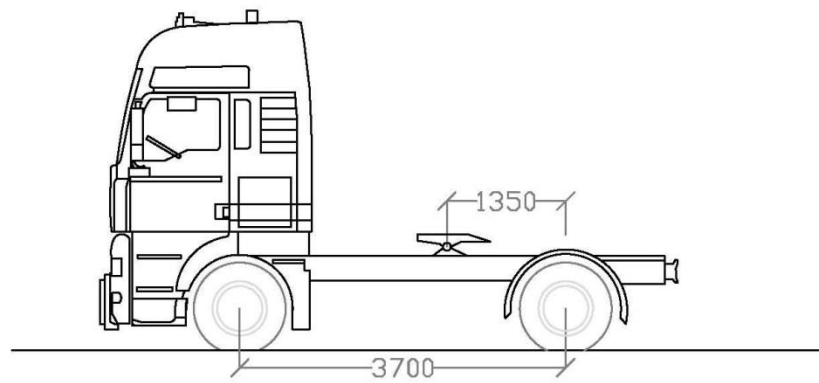


Manufacturer	: MAN
Model	: 19.464
Number of axles	: 2
Axle configuration	: 4x2
Engine power	: 460 HP
GCM	: 40 tons
GVM	: 19 tons
Category	: Truck - Tractor



MAN 19.464



Indicative sketch

Dimensions in
millimetres

Random scale

Created by: KI