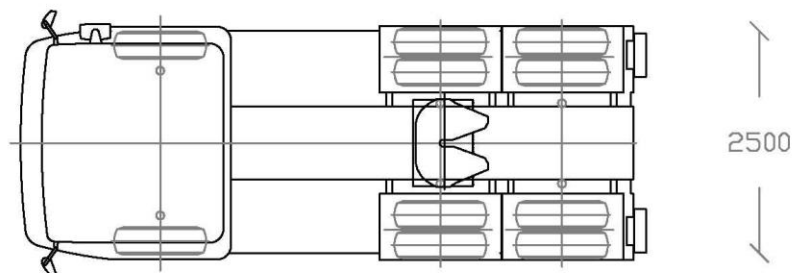
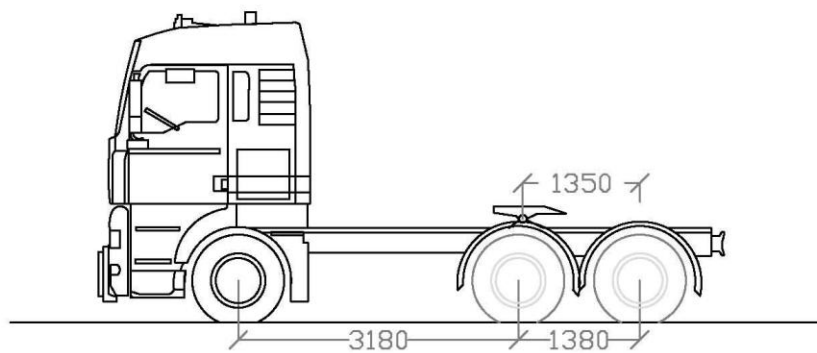


<b>Manufacturer</b>	<b>: MAN</b>
<b>Model</b>	<b>: 26.463</b>
<b>Number of axles</b>	<b>: 3</b>
<b>Axle configuration</b>	<b>: 6x4</b>
<b>Engine power</b>	<b>: 460 HP</b>
<b>GCM</b>	<b>:</b>
<b>GVM</b>	<b>: 33 tons</b>
<b>Category</b>	<b>: Truck - Tractor</b>



**MAN 26.463**

Indicative sketch

Dimensions in  
millimetres

Random scale

Created by: KI