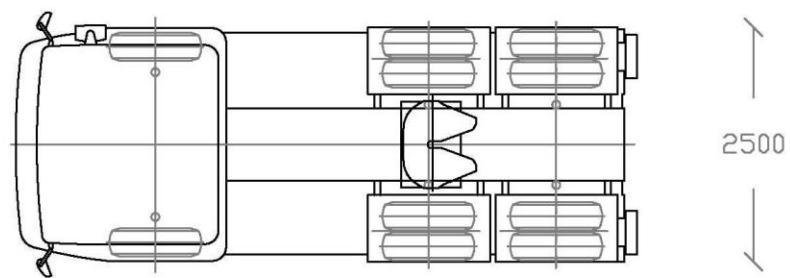
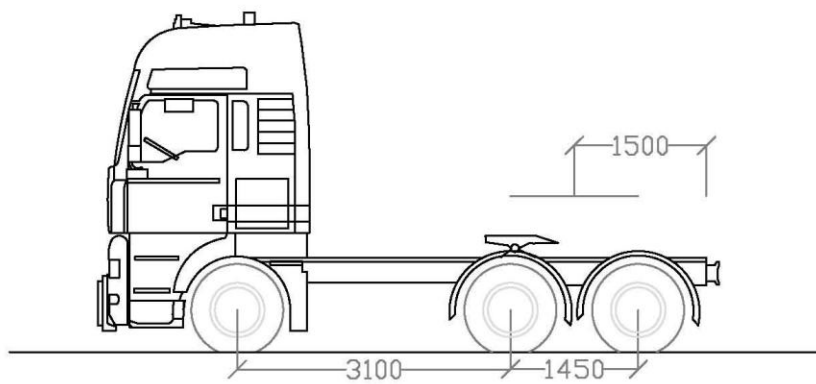


Manufacturer	: SCANIA
Model	: R 33.680
Number of axles	: 3
Axle configuration	: 6x4
Engine power	: 680 HP
GCM	: 150 tons
GVM	: 41 tons
Category	: Truck - Tractor



SCANIA R 33.680



Indicative sketch

Dimensions in
millimetres

Random scale

Created by: KI