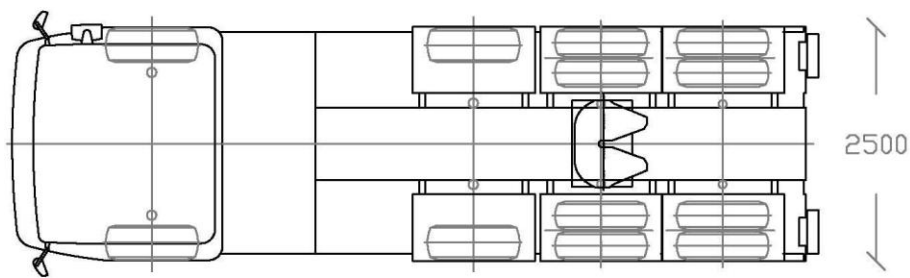
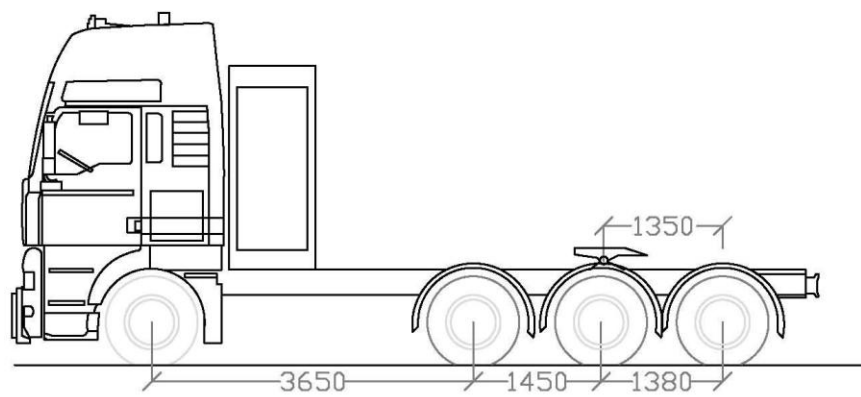


Manufacturer	: MAN
Model	: TGX 41.680
Number of axles	: 4
Axle configuration	: 8x4
Engine power	: 680 HP
GCM	: 250 tons
GVM	: 41 tons
Category	: Truck- Tractor- Torque Converter



MAN TGX 41.680



Indicative sketch

Dimensions in
millimetres

Random scale

Created by: KI